

Cut out 24 and turn around.

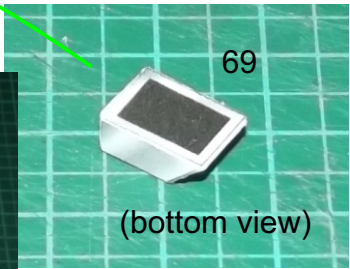
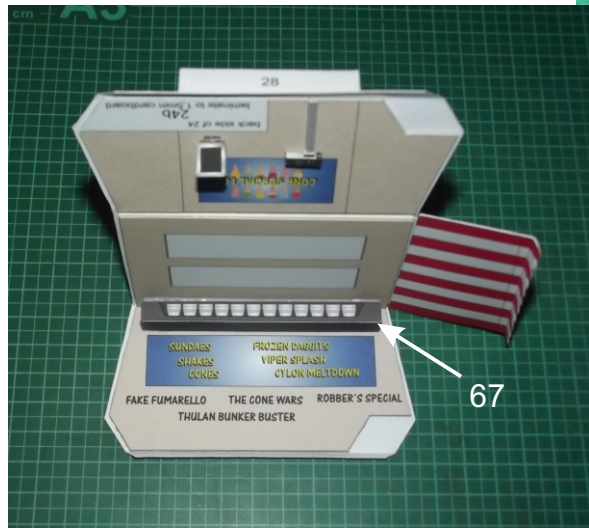
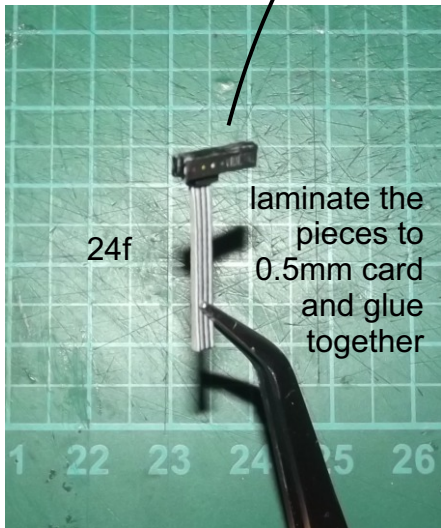
Attach 65-i/o. Make sure it folds up and down well.

Laminate 24a, 24b & 24c to 1mm card.

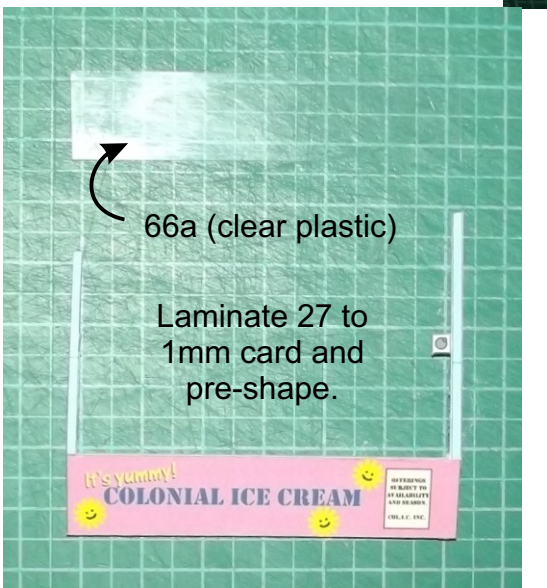
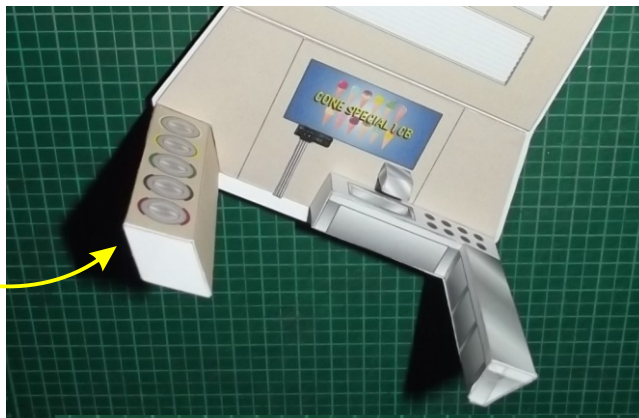
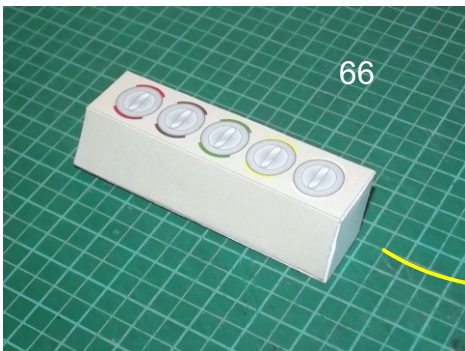
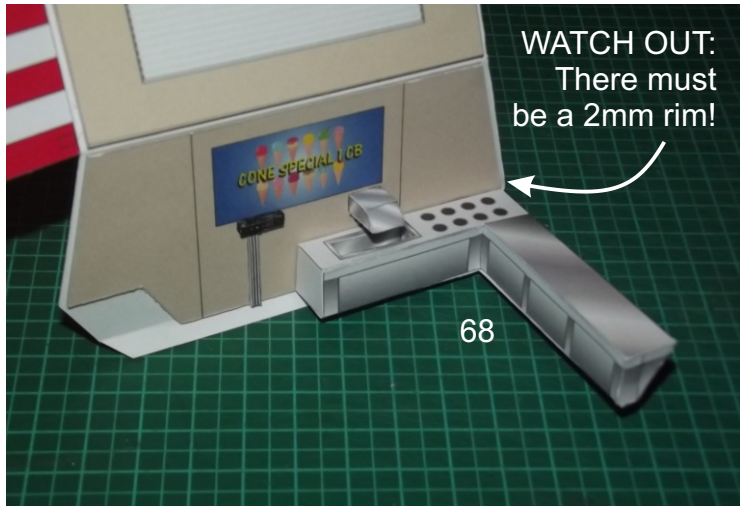
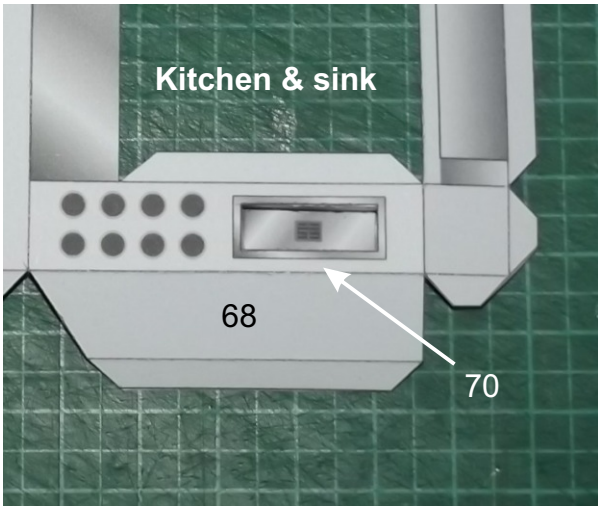
Attach 24a & 24b to 24 at the crease line. Leave a rim of 2mm on the left and on the right.

Attach 24c in the middle of the roof. Leave a rim of 2mm around it.

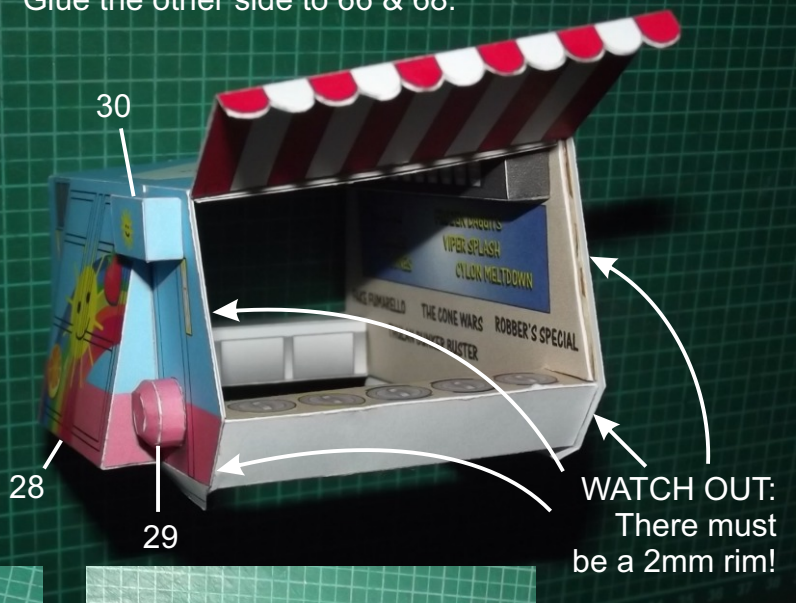
Make sure the sides with 24a & 24b can be folded up well. If you have any problems adapt the parts and cut them slightly smaller.

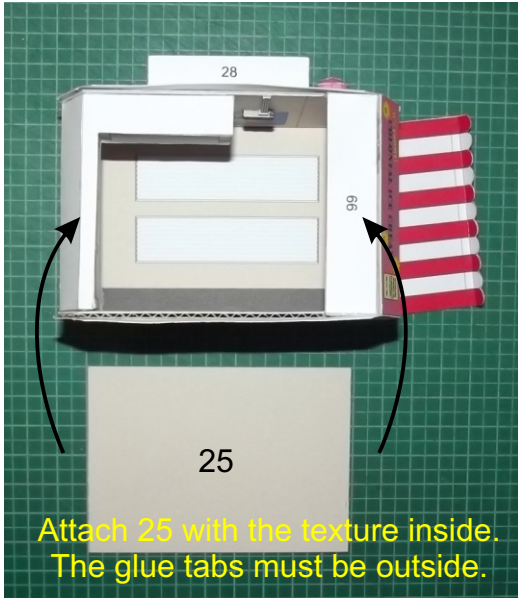


Back compartment



Glue the other side to 66 & 68.



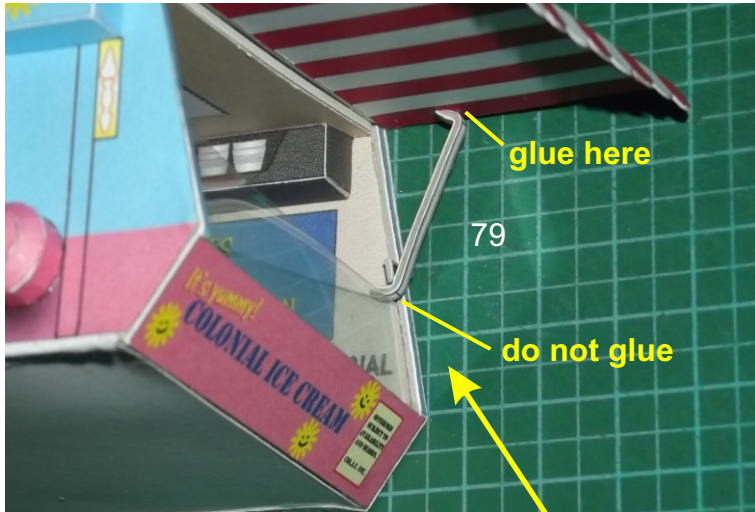


Attach 25 with the texture inside.
The glue tabs must be outside.



The white side of 25
must be on the bottom.

Do not cut off the 2mm
rim on the open side.



glue here

79

do not glue

Cut out 79. Laminate one piece to 1mm
card and glue the other piece to the
back side.

Fold at the marks as shown.

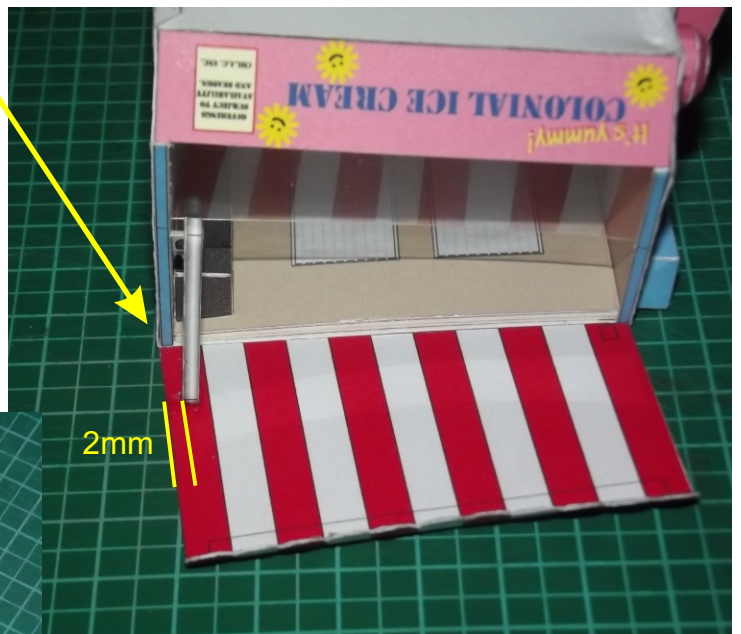
Open 65-i/o into a horizontal position.
Put one end of 79 between the splash
shield and the little knob at the frame.
Apply glue to the other end of 79 and
move it up till it meets 65-i/o. Do not
attach it at the outer edge of 65i/o but
leave a rim of 2mm. Let the glue dry.



26

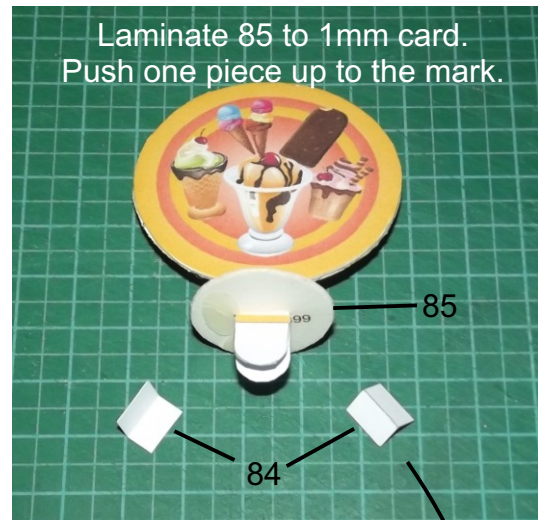
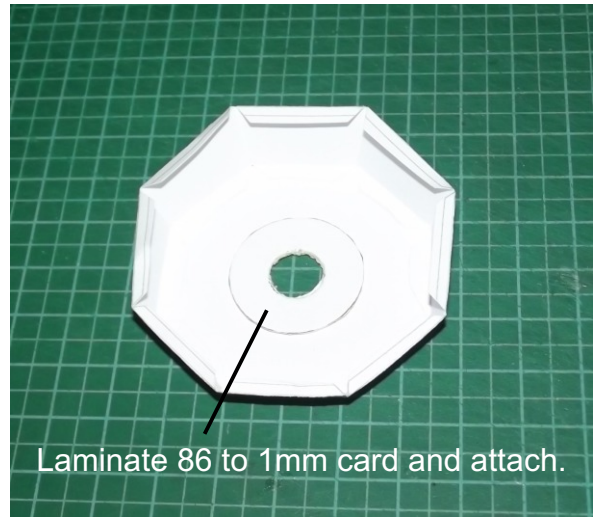
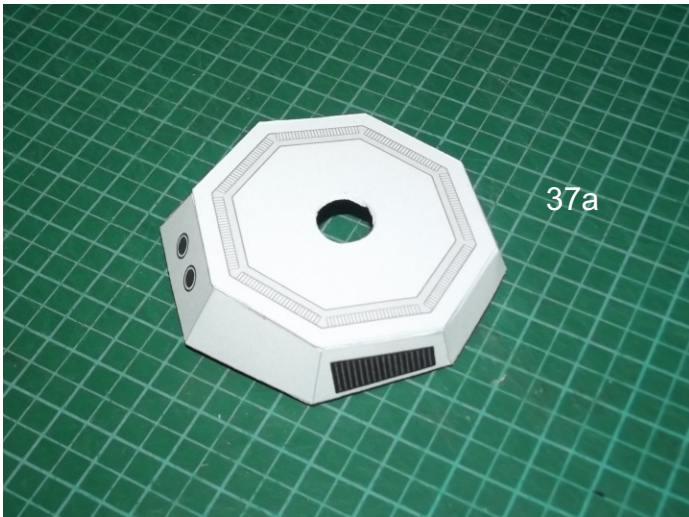


26a



2mm

Laminate 26 to 1mm card. Pre-shape and
laminate 26a to the back side. Let dry.
Do not glue the side plate to the Ram and
leave it removable.



Rotating disc



Put 83 through the hole in 37b. Do not glue. Turn around. Put the other piece 85 over the flaps.

Fold down the flaps and glue to 85.

Do not glue 85 to 37b or 86.